

## SPECTRA POWERSURVIVOR 40E WATERMAKER

### PRODUCT SPECIFICATIONS

Production / Day	40 gal (151 l)
Production / Hour	1.5 gal (6 l)
Power Requirement	12v DC 4A / 24v DC 2A 32 Watts/1 gal. 8.5 Watts/1 liter
Weight	25 lbs (11 kg)
Pre Filters	2.5"x10" pleated polyester 5 micron
Controls	Analog controls
Installation Requirements	Dedicated thruhull, dry and well ventilated area not to exceed 110F/37C
Membranes	High rejection spiral wound polyamide
Motor	High efficiency brushed DC motor
Salt Rejection	99.2%
Temperature Range	Max 110F/37C Min 36F/2C
Baseline Conditions	33,000 PPM feed water at 77F/25C
pH Range	3-11 (typical seawater pH is 8)
Chlorine Tolerance	0 PPM
Warranty	Standard warranty
Shipping Weight	
Shipping Dimensions	



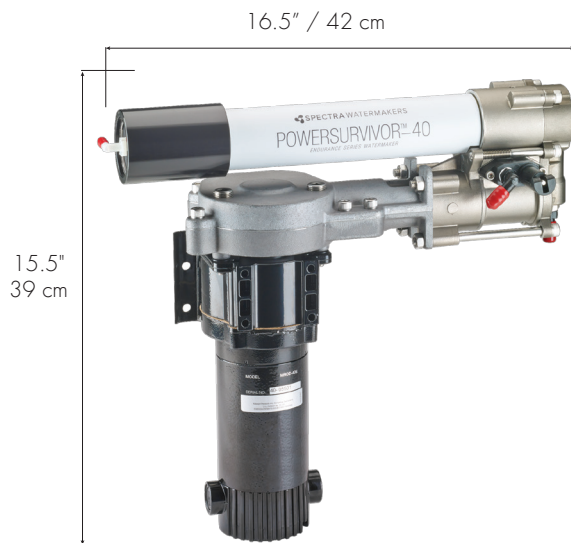
### FACTS

The PowerSurvivor 40E is compact and energy efficient, drawing only 4 amps to desalinate water for your yacht. Its simple construction and rugged design make the 40E easy to operate, and maintain. With its space-saving design, it can be fit in the smallest compartments. In the event of a power shortage, the 40E is only system on the market that can convert to a hand operated system.

### FEATURES

- Simple, lightest, and most compact machine
- Runs on 4 Amps at 12 Volts DC, making 1.5 gallons (6 liters) per hour
- Rugged and reliable 316 stainless steel pump
- Easily rebuilt in the field
- Lowest amperage draw of any electric watermaker
- So small it can be fit on any vessel, even transoceanic rowboats.
- Converts to hand operation in case of power shortage

**SPECTRA POWERSURVIVOR 40E WATERMAKER**



High Pressure Pump and Membrane  
Depth 6.75" / 17 cm



Katadyn reserves the right to modify products

**Katadyn Desalination**

Spectra Watermakers

20 Mariposa Road  
San Rafael, CA 94901

TEL: 1-415-526-2780 FAX: 1-414-526-2787

E-MAIL: [sales@spectrawatermakers.com](mailto:sales@spectrawatermakers.com)

[www.spectrawatermakers.com](http://www.spectrawatermakers.com)